

GENERAL NOTES:

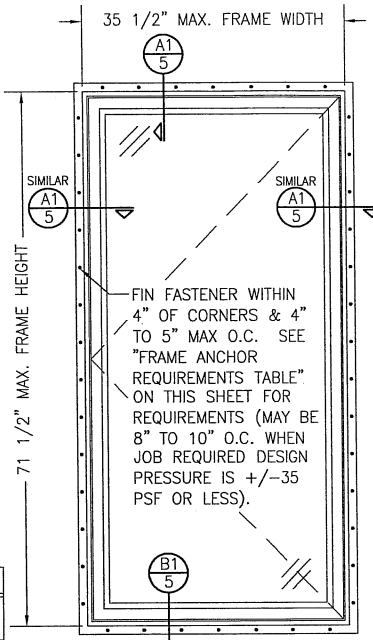
- ALL FASTENERS SHALL BE IN ACCORDANCE WITH THESE DRAWINGS. SPECIFIED ANCHOR EMBED TO BASE MATERIAL SHALL BE BEYOND WALL FINISH OR STUCCO.
- OPENINGS, BUCKING & BUCKING FASTENERS MUST BE PROPERLY DESIGNED & INSTALLED TO TRANSFER WIND LOADS TO THE STRUCTURE.
- THESE NON-IMPACT RATED PRODUCT INSTALLATIONS ARE IN ACCORDANCE WITH AND MEET THE REQUIREMENTS OF THE FLORIDA BUILDING CODE (FBC).
- ALL ANCHORS SECURING PRODUCT FRAMES TO PRESSURE TREATED BUCKS OR WOOD FRAMING SHALL BE CAPABLE OF RESISTING CORROSION CAUSED BY THE PRESSURE TREATING CHEMICALS IN THE WOOD.
- MATERIALS, INCLUDING BUT NOT LIMITED TO STEEL SCREWS, THAT COME INTO CONTACT WITH OTHER DISSIMILAR MATERIALS SHALL MEET THE REQUIREMENTS OF FLORIDA BUILDING CODE CHAPTER 20.
- TO THE BEST OF OUR KNOWLEDGE, THE PRODUCT SHOWN HEREIN IS CERTIFIED & QUALITY ASSURED BY A FLORIDA STATE APPROVED CERTIFICATION/QA ENTITY & SHALL BE LABELED IN ACCORDANCE WITH THE FBC AND THE FLORIDA DEPARTMENT OF BUSINESS & PROFESSIONAL REGULATION SPECIFICATIONS. PRODUCT ASSEMBLY IS NOT PART OF THIS DRAWING AND SHALL BE IN ACCORDANCE WITH THE MANUFACTURER'S QUALITY ASSURANCE SPECIFICATIONS & TESTING REPORTS.
- CERTIFICATION OF THESE PRODUCT INSTALLATIONS SHALL BE CONSIDERED VOID IF ANY OF THE FOLLOWING APPLY: 1) PRODUCT IS INSTALLED WITHOUT A BUILDING PERMIT FROM THE APPLICABLE LOCAL BUILDING DEPARTMENT. 2) PRODUCT IS INSTALLED BY ANYONE OTHER THAN A LICENSED CONTRACTOR EXPERIENCED WITH INSTALLATIONS OF THIS TYPE OF PRODUCT. 3) IF CHANGES HAVE OCCURRED TO THE PRODUCT'S CERTIFICATION ENTITY'S CERTIFICATE THAT CAUSE THESE INSTALLATIONS TO BE INCORRECT OR INCONSISTENT WITH WHAT HAS BEEN TESTED.
- THE LEAST DESIGN PRESSURE SPECIFIED EITHER IN THIS DRAWING OR IN THE PRODUCTS CERTIFICATION SHALL CONTROL FOR THE INSTALLED PRODUCT.
- THESE DRAWINGS CERTIFY THE PRODUCT INSTALLATION ONLY. WATER PROOFING OF THE INSTALLED PRODUCT IS NOT PART OF THIS INSTALLATION CERTIFICATION. THAT RESPONSIBILITY SHALL BE THAT OF THE MANUFACTURER &/OR INSTALLER.

INSTALLATION EVALUATION IS BASED ON APPLICABLE ANCHOR STANDARDS AND/OR INFORMATION & RESULTS FROM APPLICABLE TEST REPORTS. THE FLORIDA BUILDING CODE VERSION CONSIDERED WITH THE EVALUATION WAS THAT IN FORCE AT THE TIME OF THE EVALUATION. IN THE EVENT OF CODE VERSION CHANGES/UPDATES OR IN THE EVENT THAT NEW OR ADDITIONAL TESTING IS COMPLETED ON THE REFERENCED PRODUCT, PRIOR TO STATING CODE COMPLIANCE WITH THE STATE, THE MANUFACTURER SHALL CONFIRM WITH THE INSTALLATION EVALUATION ENGINEER OF RECORD THAT THE INSTALLATIONS SPECIFIED HERE-IN ARE CURRENT WITH THE THEN CURRENT TESTING, CODE AND APPLICABLE STANDARDS.

FRAME ANCHOR REQUIREMENTS TABLE

OPENING TYPE (SUBSTRATE)	FRAME/CLIP/NAIL FIN TO OPENING FASTENER TYPE	MINIMUM EMBED	MINIMUM EDGE DIST.
(1) FRAME SCREWS			
MIN. 2X4 WOOD FRAME OR BUCK (MIN. GR. 3 & G=0.55)	NO. 10 SMS OR WOOD SCREW	1 1/4"	3/4"
MIN. 18 GA. 33 KSI METAL STUD	NO. 10 GR. 5 SELF TAP/DRILL SCREW	FULL	1/2"
MIN. 1/8" THK A36 STEEL	NO. 10 GR. 5 SELF TAP/DRILL SCREW	FULL	1/2"
MIN. 1/8" THK 6063-T5 ALUM.	NO. 10 GR. 5 SELF TAP/DRILL SCREW	FULL	1/2"
MIN. C-90 CMU OR 2500 PSI CONCRETE	(2) 1/4" CONCRETE SCREW	1 1/4"	2"
(1) INSTALLATION CLIP SCREWS			
MIN. 2X4 WOOD FRAME OR BUCK (MIN. GR. 3 & G=0.55)	NO. 10 SMS SCREW	1 1/4"	1/2"
MIN. 18 GA. 33 KSI METAL STUD	NO. 10 GR. 5 SELF TAP/DRILL SCREW	FULL	1/2"
MIN. 1/8" THK A36 STEEL	NO. 10 GR. 5 SELF TAP/DRILL SCREW	FULL	1/2"
MIN. 1/8" THK 6063-T5 ALUM.	NO. 10 GR. 5 SELF TAP/DRILL SCREW	FULL	1/2"
2500 PSI CONCRETE	(2) 1/4" CONCRETE SCREW	1 1/4"	2"
(3) NAILING FIN FASTENERS			
MIN. 2X4 WOOD FRAME OR BUCK (MIN. GR. 3 & G=0.55)	NO. 8 SMS SCREW	1 3/8"	1/2"
MIN. 2X4 WOOD FRAME OR BUCK (MIN. GR. 3 & G=0.55)	11 GA. ROOFING NAIL	1 3/8"	1/2"
MIN. 1/8" THK A36 STEEL	NO. 8 GR. 5 SELF TAP/DRILL SCREW	FULL	1/2"
MIN. 1/8" THK 6063-T5 ALUM.	NO. 8 GR. 5 SELF TAP/DRILL SCREW	FULL	1/2"

- FRAME AND INSTALLATION CLIP SCREWS SHALL BE A PAN OR HEX HEAD SCREW.
- CONCRETE SCREWS SHALL BE ELCO ULTRACONS (C.S.), ELCO CRETE-FLEX (S.S.), ITW RAMSET/RED HEAD TAPCONS (C.S. OR S.S.) OR HILTI KWIK-CON II (C.S OR S.S.).
- WHEN SCREWS ARE USED WITH THE NAIL FIN, THEY MUST BE A WAFFLE HEAD SCREW OR HAVE A FLAT WASHER AT THE SCREW HEAD.



**EXTERIOR ELEVATION:
SINGLE WINDOW**
SCALE: 3/4" = 1'-0"
(NAIL FIN MOUNT CONDITION)

CONDITIONS SHOWN ON THIS DRAWING ARE GOVERNED BY INSTALLATION REQUIREMENTS ONLY. THE GOVERNING CONDITIONS ON ANY SPECIFIC WINDOW SHALL BE THE LESSER OF THOSE SPECIFIED IN THE WINDOWS STATE APPROVAL OR THAT SHOWN IN THESE DRAWINGS.

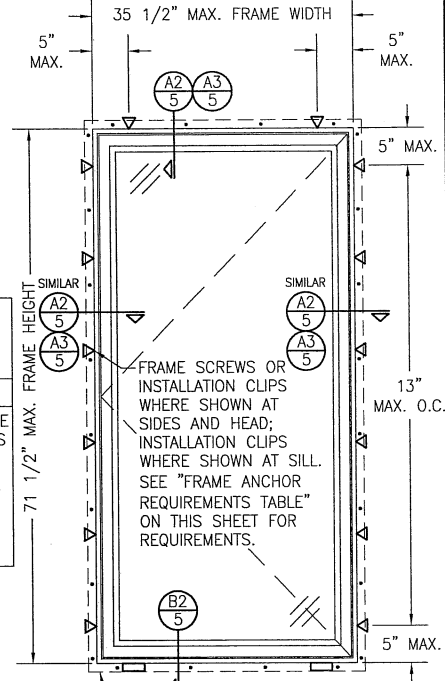
ALTERNATE ANCHOR/SUBSTRATE EVALUATION NOTE:
ALL ALTERNATE ANCHORS IN THEIR SPECIFIED SUBSTRATES HAVE BEEN ANALYZED IN ACCORDANCE WITH THEIR APPLICABLE STANDARD(S) AND ARE FOUND TO BE EQUIVALENT TO OR STRONGER THAN THE ANCHOR(S) USED IN TESTING WITH THIS PRODUCT.

INSTALLATION NOTE:
WHEN NECESSARY, INSTALLATION METHODS MAY BE MIXED WITH ANY ONE WINDOW SUCH THAT INDIVIDUAL SIDES OF THE WINDOW MAY USE ONE OR THE OTHER ANCHOR METHOD (EXAMPLE: ONE SIDE MAY USE FRAME SCREW METHOD WHILE OTHER SIDES USE FIN)

ALLOWABLE DESIGN PRESSURE (SINGLE WINDOWS)

+/-50 PSF

PRESSURE SHOWN IN THIS TABLE IS FOR INSTALLATION CONDITIONS ONLY. THE GOVERNING DESIGN PRESSURE ON THE WINDOWS SHALL BE THE LESSER OF THAT SHOWN IN THE INDIVIDUAL WINDOW'S STATE APPROVAL OR THAT SHOWN IN THIS TABLE.

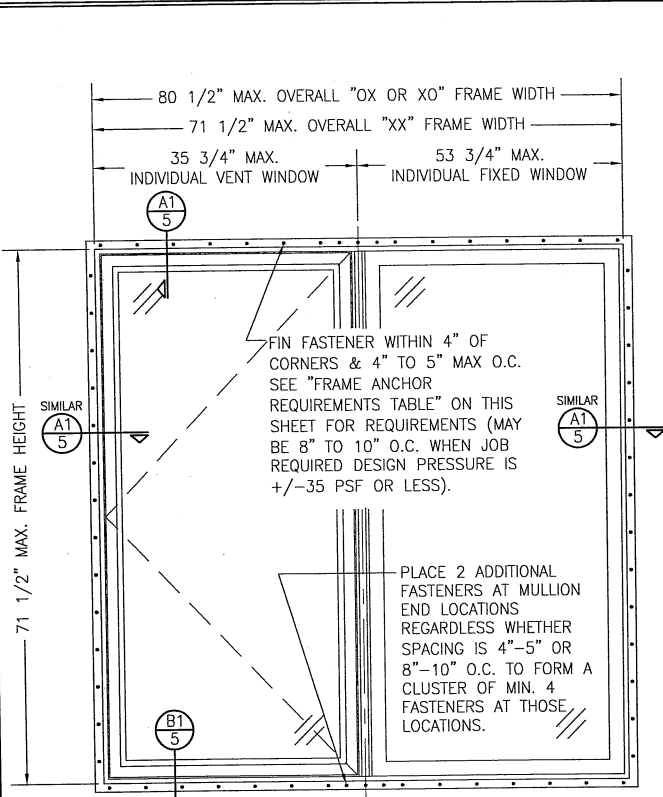


**EXTERIOR ELEVATION:
SINGLE WINDOW**
SCALE: 3/4" = 1'-0"
(FRAME SCREW & CLIP MOUNT CONDITION)

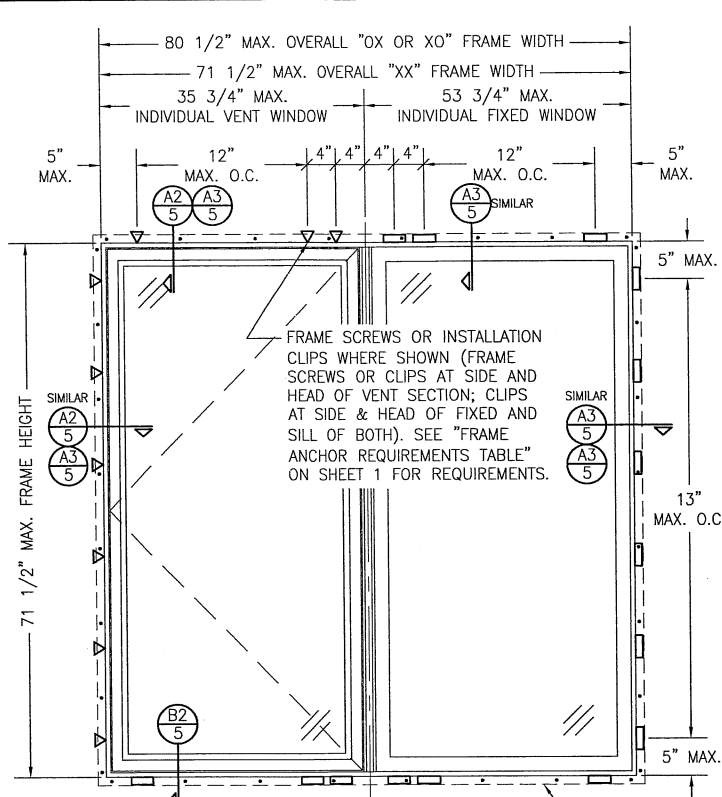
NAIL FIN AND ANCHORING OF NAIL FIN IS OPTIONAL & SHALL NOT ACT AS A SUBSTITUTE FOR THE FRAME ANCHORS SPECIFIED. FIN MAY BE REMOVED WHEN REQUIRED BY OPENING CONDITIONS

THESE DRAWINGS ARE APPLICABLE ONLY TO THE PRODUCT SPECIFIED. THEY MAY NOT BE USED FOR THE ASSEMBLY AND/OR INSTALLATION OF ANY OTHER PRODUCT NOR MAY THEY BE USED FOR RATIONAL AND/OR LOCAL APPROVAL OF ANY PRODUCT NOT PRODUCED BY THE MANUFACTURER STATED ON THESE DRAWINGS.

DRAWN BY: W.W.S.	CHECKED BY: W.W.S.
PLOT: 1=16	DATE: 04/05/18
DATE: 09/19/18	
BY: W.W.S.	
REVISION DESCRIPTION	
NO. 1	UPDATE FOR NEW TESTING
2500 SERIES VINYL NON-IMPACT VENT CASEMENT WINDOWS	
MANUFACTURER 	
CONSULTANTS W. W. SCHAEFER ENGINEERING & CONSULTING, P.A. (CA 6809) 7480, 130TH COUNTY NORTH PALM BEACH GARDENS, FL 33418 PHONE: 561-744-3424	
DRAWING TITLE 2500 SERIES VINYL NON-IMPACT VENT CASEMENT WINDOWS	
STATE OF FLORIDA PROFESSIONAL ENGINEER No. 44195 W. W. SCHAEFER	
SEP 27 2018 W. W. SCHAEFER, P.E. P.E. NO. 44195	
DRAWING NO. 1934	REV. A
SHEET NO. 1	OF 6



**EXTERIOR ELEVATION:
2-WIDE WINDOW**
SCALE: 3/4" = 1'-0"
(NAIL FIN MOUNT CONDITION)




**EXTERIOR ELEVATION:
2-WIDE WINDOW**
SCALE: 3/4" = 1'-0"
(FRAME SCREW & CLIP MOUNT CONDITION)

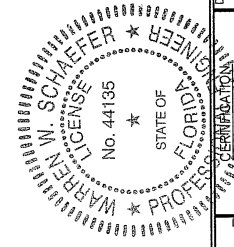
- 2-WIDE UNIT NOTES:**
1. XO CONFIGURATION IS SHOWN, OX & XX ALSO APPLY.
 2. THE WINDOWS WITHIN EACH UNIT MAY BE OF EQUAL OR UNEQUAL WIDTH.

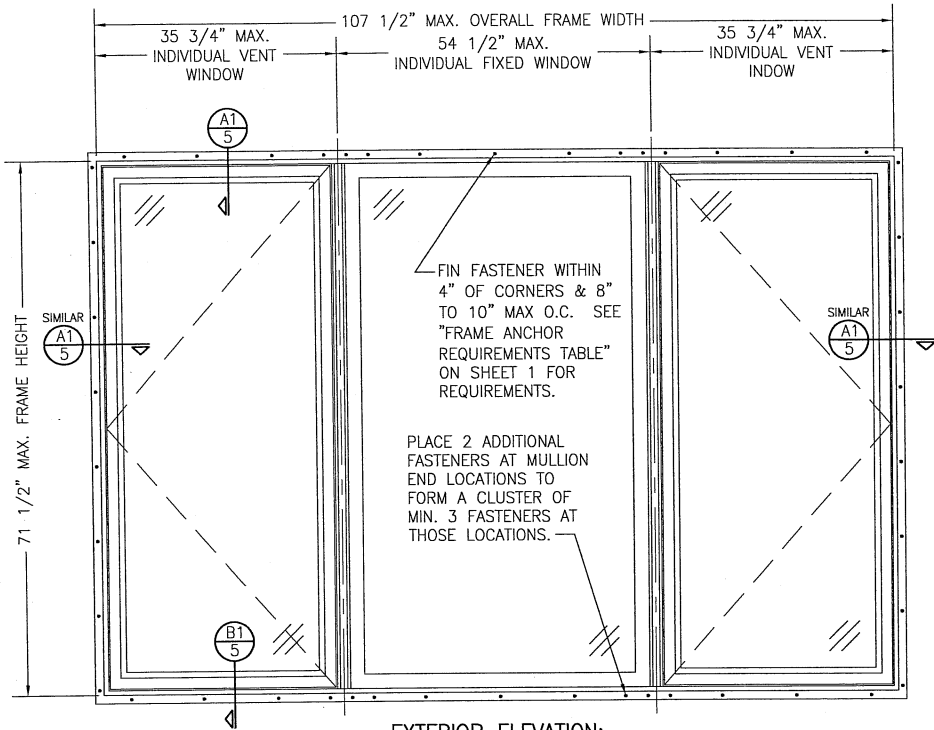
ALLOWABLE DESIGN PRESSURE (2-WIDE WINDOW UNITS)	
WINDOW CONFIGURATION	ALLOWABLE PRESSURE
XX	+/-50 PSF
XO & OX	+/-35 PSF

PRESSURE SHOWN IN THIS TABLE IS FOR INSTALLATION CONDITIONS ONLY. THE GOVERNING DESIGN PRESSURE ON THE WINDOWS SHALL BE THE LESSER OF THAT SHOWN IN THE INDIVIDUAL WINDOW'S STATE APPROVAL OR THAT SHOWN IN THIS TABLE.

NAIL FIN AND ANCHORING OF NAIL FIN IS OPTIONAL & SHALL NOT ACT AS A SUBSTITUTE FOR THE FRAME ANCHORS SPECIFIED. FIN MAY BE REMOVED WHEN REQUIRED BY OPENING CONDITIONS

DRAWN BY: W.W.S. CHECKED BY: W.W.S. PLOT: 1=16 DATE: 04/05/18	REVISION DESCRIPTION NO.
DRAWING TITLE 250 SERIES VINYL NON-IMPACT VENT CASEMENT WINDOWS	
CONSULTANTS W. W. SCHAEFER ENGINEERING & CONSULTING, P.A. (CA 6809) 7480 150TH COURT NORTH PALM BEACH GARDENS, FL 33418 PHONE: 561-744-3424	
MANUFACTURER  PELLA CORPORATION 102 MAIN STREET PELLA, IA 50219 641-621-1000	
DRAWING NO. 1934 SHEET NO. 2 OF 6 REV. A	





EXTERIOR ELEVATION:
3-WIDE WINDOW
 SCALE: 3/4" = 1'-0"
 (NAIL FIN MOUNT CONDITION)

- 3-WIDE UNIT NOTES:**
1. XOX CONFIGURATION IS SHOWN, ANY COMBINATION OF VENT AND FIXED ALSO APPLIES.
 2. THE WINDOWS WITHIN MAY BE EQUAL OR UNEQUAL WIDTH.
 3. NO SINGLE WINDOW WIDTH NOR THE OVERALL FRAME WIDTH MAY EXCEED THE DIMENSIONS SHOWN.

ALLOWABLE DESIGN PRESSURE
(3-WIDE WINDOW UNITS)
 +/-35 PSF

DRAWN BY: W.W.S.	CHECKED BY: W.W.S.
PLOT: 1=16	DATE: 04/05/18
NO.	REVISION DESCRIPTION

DRAWING TITLE
250 SERIES VINYL NON-IMPACT VENT CASEMENT WINDOWS

MANUFACTURER
PELLA CORPORATION
 102 MAIN STREET
 PELLA, IA 50219
 641-621-1000

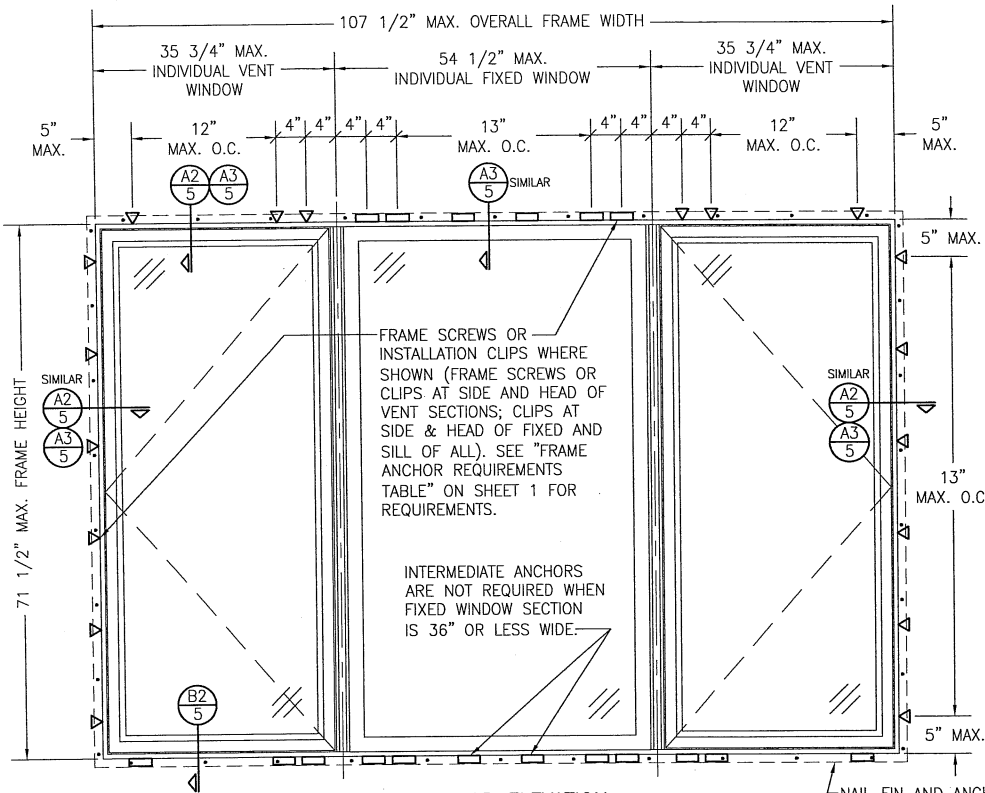


CONSULTANTS
W. W. SCHAEFER ENGINEERING & CONSULTING, P.A. (CA 6809)
 7480 130TH COURT NORTH, 30418
 PALM BEACH GARDENS, FL 33418
 PHONE: 561-744-3424



DATE
SEP 27 2018
 WARREN W. SCHAEFER, P.E.
 P.E. NO. 44135

DRAWING NO.	REV.
1934	A
SHEET NO.	
3	OF 6



**EXTERIOR ELEVATION:
3-WIDE WINDOW**
SCALE: 3/4" = 1'-0"
(FRAME SCREW MOUNT CONDITION)

NAIL FIN AND ANCHORING OF NAIL FIN IS OPTIONAL & SHALL NOT ACT AS A SUBSTITUTE FOR THE FRAME ANCHORS SPECIFIED. FIN MAY BE REMOVED WHEN REQUIRED BY OPENING CONDITIONS

3-WIDE UNIT NOTES:


1. XOX CONFIGURATION IS SHOWN, ANY COMBINATION OF VENT AND FIXED ALSO APPLIES.
2. THE WINDOWS WITHIN MAY BE EQUAL OR UNEQUAL WIDTH.
3. NO SINGLE WINDOW WIDTH NOR THE OVERALL FRAME WIDTH MAY EXCEED THE DIMENSIONS SHOWN.

**ALLOWABLE DESIGN PRESSURE
(3-WIDE WINDOW UNITS)**
+/-35 PSF

DRAWN BY: W.M.S.	CHECKED BY: W.M.S.
PLOT: 1-16	DATE: 04/05/18
NO.	REVISION DESCRIPTION

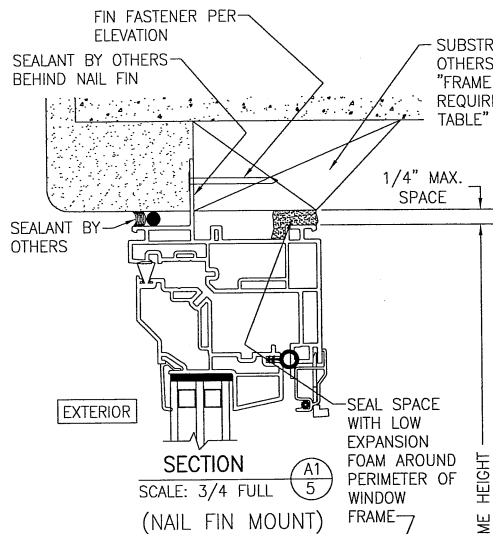
DRAWING TITLE: **250 SERIES VINYL NON-IMPACT VENT CASEMENT WINDOWS**

CONSULTANTS:
W. W. SCHAEFER ENGINEERING & CONSULTING, P.A. (CA 6809)
7480 150TH COURT NORTH, 33418
PALM BEACH GARDENS, FL 33424
PHONE: 561-744-3424

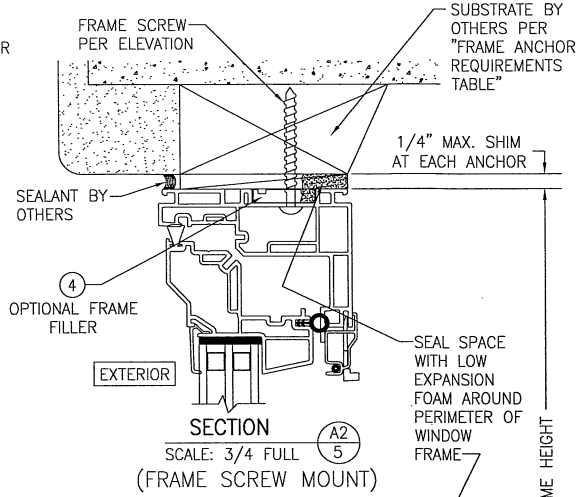
MANUFACTURER:

PELLA CORPORATION
102 MAIN STREET
PELLA, IA 50219
641-621-1000

Professional Engineer Seal:
WARREN W. SCHAEFER
No. 44135
STATE OF FLORIDA
Professional Engineer
SEP 27 2018
WASPICK W. SCHAEFER, P.E.
P.E. NO. 44135

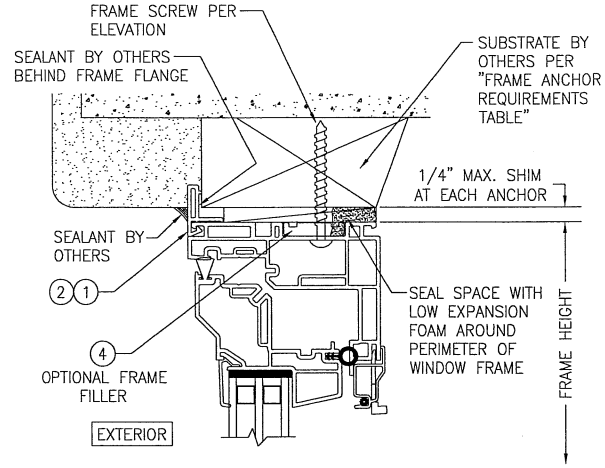
DRAWING NO. 1934	REV. A
SHEET NO. 4 OF 6	



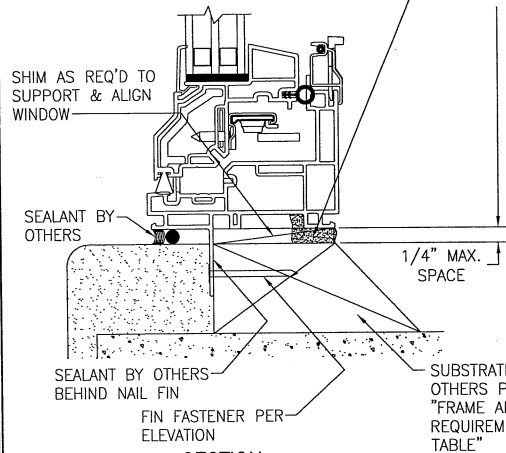
SECTION A1
SCALE: 3/4 FULL
(NAIL FIN MOUNT)



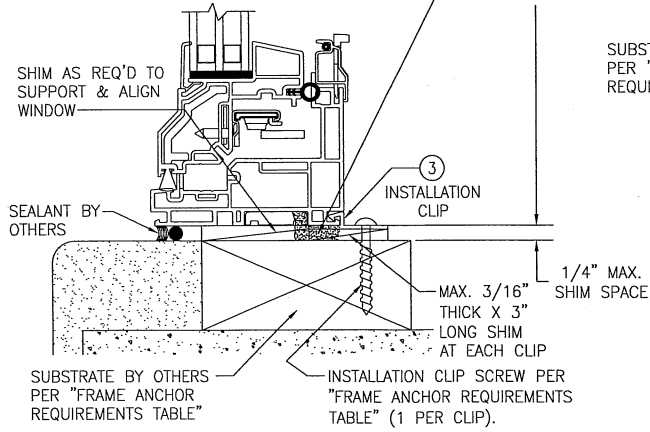
SECTION A2
SCALE: 3/4 FULL
(FRAME SCREW MOUNT)



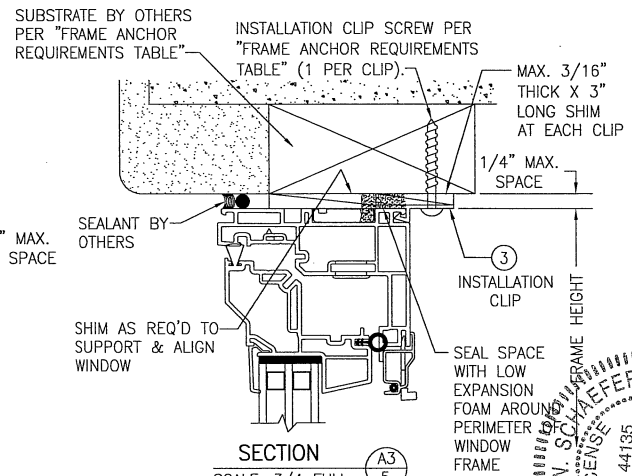
ALTERNATE SECTION A2
SCALE: 1/2 FULL
(FRAME SCREW MOUNT WITH FLANGE)



SECTION B1
SCALE: 3/4 FULL
(NAIL FIN MOUNT)



SECTION B2
SCALE: 3/4 FULL
(CLIP MOUNT)



SECTION A3
SCALE: 3/4 FULL
(CLIP MOUNT)

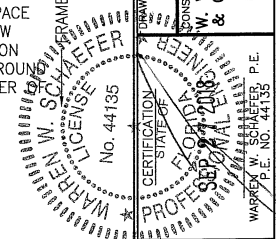
DRAWN BY:	W.W.S.	CHECKED BY:	W.W.S.
DATE:	1-16	DATE:	04/05/18
NO.		REVISION DESCRIPTION	
BY			

DRAWING TITLE: 250 SERIES VINYL NON-IMPACT VENT CASEMENT WINDOWS

PELLA CORPORATION
102 MAIN STREET
PELLA, IA 50219
641-621-1000

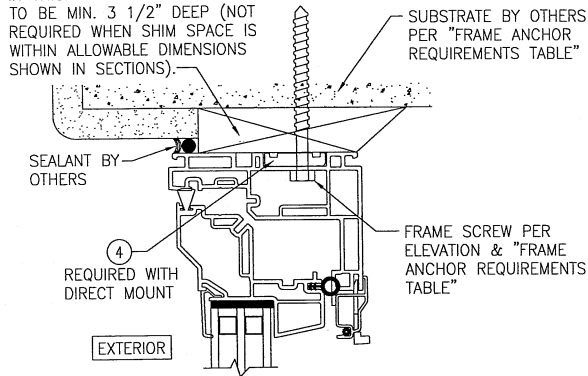


CONSULTANTS
W. SCHAEFER ENGINEERING & CONSULTING, P.A. (CA 6809)
7460 150TH COURT NORTH, SU-118
PALLAS, IA 50245
PHONE: 561-744-3424



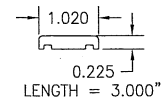
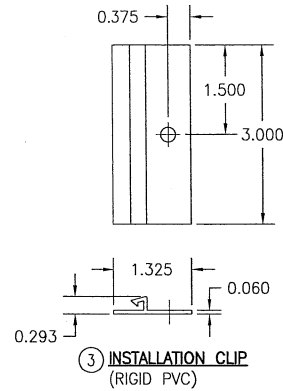
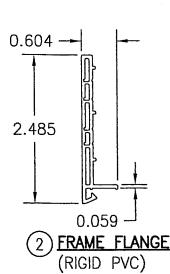
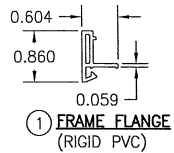
DRAWING NO.	1934	REV.	A
SHEET NO.	5	OF	6

CONTINUOUS WOOD MEMBER LESS IN THICKNESS THAN A 2X BUCK TO BE MIN. 3 1/2" DEEP (NOT REQUIRED WHEN SHIM SPACE IS WITHIN ALLOWABLE DIMENSIONS SHOWN IN SECTIONS).




OPTIONAL DIRECT MOUNT DETAIL TO SUBSTRATE WITH SPACER

(HEAD SECTION SHOWN; SIDES & SILL ARE INSTALLED THE SAME)
(FOR DETAIL NOT SHOWN, SEE OTHER SECTIONS)



NO.	REVISION DESCRIPTION	DATE	BY

DRAWING TITLE 250 SERIES VINYL NON-IMPACT VENT CASEMENT WINDOWS	
CONSULTANTS W. W. SCHAEFER ENGINEERING & CONSULTING, P.A. (CA 6809) 7480 150TH COURT NORTH PALM BEACH GARDENS, FL 33418 PHONE: 561-744-3424	MANUFACTURER 
PELLA CORPORATION 102 MAIN STREET PELLA, IA 50219 641-621-1000	



WARREN W. SCHAEFER, P.E.
P.E. NO. 44135
SEP 27 2018

DRAWING NO. 1934	REV. A
SHEET NO. 6	OF 6